



AF/100/10 IEPE Impedance Head

100mV/g 10mV/N

30gm

121°C Max temp

The AF/100/10 Impedance head integrates an IEPE accelerometer and force sensor into one device to measure dynamic acceleration and force simultaneously.

Manufactured in stainless steel, the Impedance head has a mass of 30 grams and an operating temperature range of -40 to +121°C (-40 to +249°F). IEPE sensitivity is 10mV/N for measuring force and 100mV/g for acceleration dependent on your requirements.

With a low impedance voltage mode and an effective anti-jamming facility the AF impedance head is ideal for use in modal and structural analysis. It can be attached to an input stinger that is itself driven by a modal shaker and also attached to the test structure via the two M5 tapped mounting holes. The use of IEPE sensors provides accurate measurement of applied forces over a wide bandwidth providing extensive excitation range for Modal testing, unlike other strain gauge sensors which are used for static and quasistatic environments.

As with all IEPE sensors, setup is easy and the AF can be connected directly to a data acquisition and analysis system equipped with IEPE signal conditioning within the range of 2-10mA and 18-28VDC. Cables of any length can also be supplied to suit all test set ups and the calibration certification supplied provides National traceability.

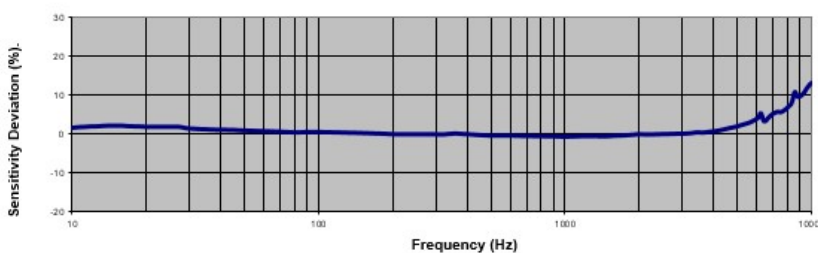
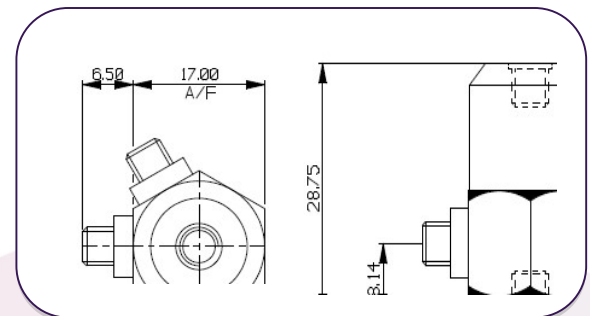
	AF/100/10
Sensitivity (20°C) Force ±10%	10mV/N
Sensitivity (20°C) Acceleration ±10%	100mV/g
Measuring Range Force	500N
Measuring Range Acceleration	±50g
Typical Frequency Range Force	0.7Hz ~ 6kHz
Typical Frequency Response ±5%	1Hz – 6kHz
±10%	0.7Hz – 8kHz
Resonant Frequency	≥55kHz
Temperature Range	-40 to +121°C
Weight	30gms
Case material	Stainless steel
Mounting Type	M5 tapped top and bottom
Dimensions	20 x 27mm
Output impedance	<100Ω
Base Strain Sensitivity	≤ 5%

Options

AF/100/10 = 10mV/N / 100mV/g
AF/50/5 = 5mV/N / 50mV/g

Cables of any length can be supplied to suit the application

AF/100/10



Typical Frequency Response

Please note: For information and reference only. Data should not be used as pass / fail criteria for calibration purposes

DJB Instruments (UK) Ltd
Finchley Avenue,
Mildenhall, Suffolk IP28 7BG

Tel +44 (0)1638 712 288
Email sales@djbinstruments.com
Web www.djbinstruments.com

DJB Iss.3.2020

A UK company with UK-based manufacturing, assembly and calibration in-house.



ISO 9001 – 00025363