



AT130D
Rockwell principle bench hardness tester



The proper solution for any hardness control issue



AT 130 D

Not influenced by bending nor deflections
Simple, quick and precise
The clamping shield permits the measure of big and irregular pieces
Direct Rockwell and Brinell hardness reading
Its staunch structure and electronics makes
AT 130 D suitable for difficult environments

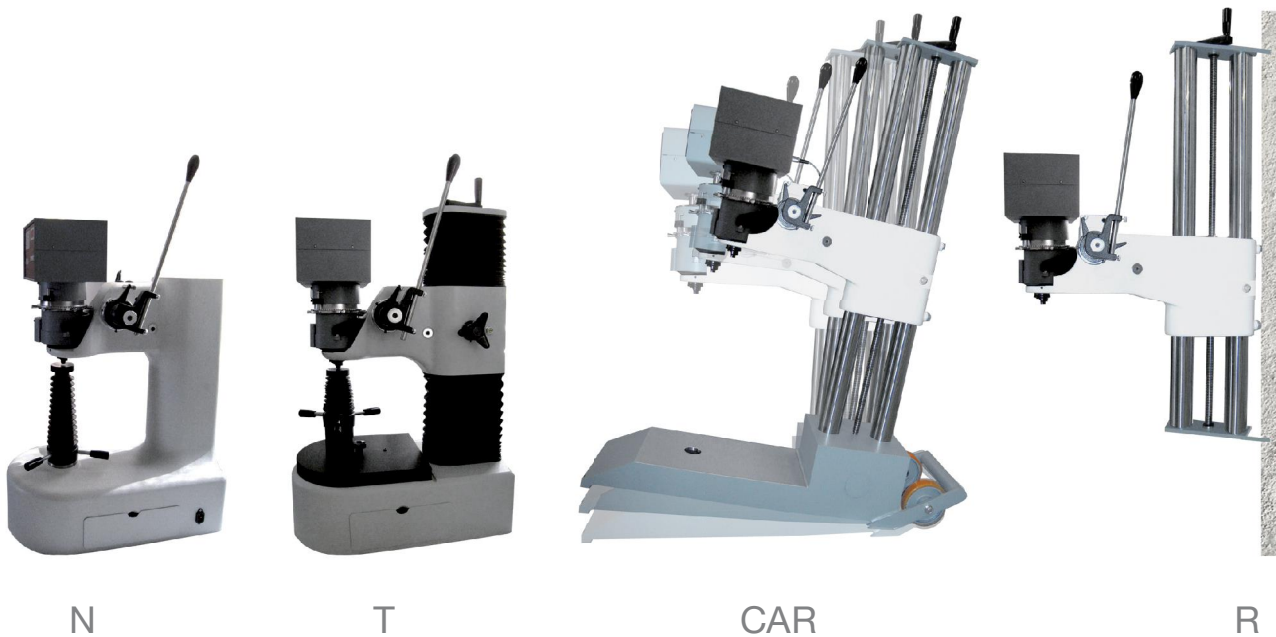


AT130D MECHANICS

Even operating following to the Rockwell principle according to DIN and ASTM in AT130D series, measuring is not influenced by deflections. The reference point is the surface of the component itself. Surface preparation is needed only where measuring takes place. With an easy movement of the lever pre-load and load are applied. With the return movement, load is taken away, and reading is made. Measuring takes no more than 3sec. (a few sec. more for very soft materials).

AT 130 D S STE ADVANTAGES

- □ It clamps difficult shaped and overhanging pieces firmly to the clamping cap
- □ Fast batch testing, components can be loaded on the anvil without moving the handwheel
- □ Possibility to carry out testing according to standards on components of large dimensions

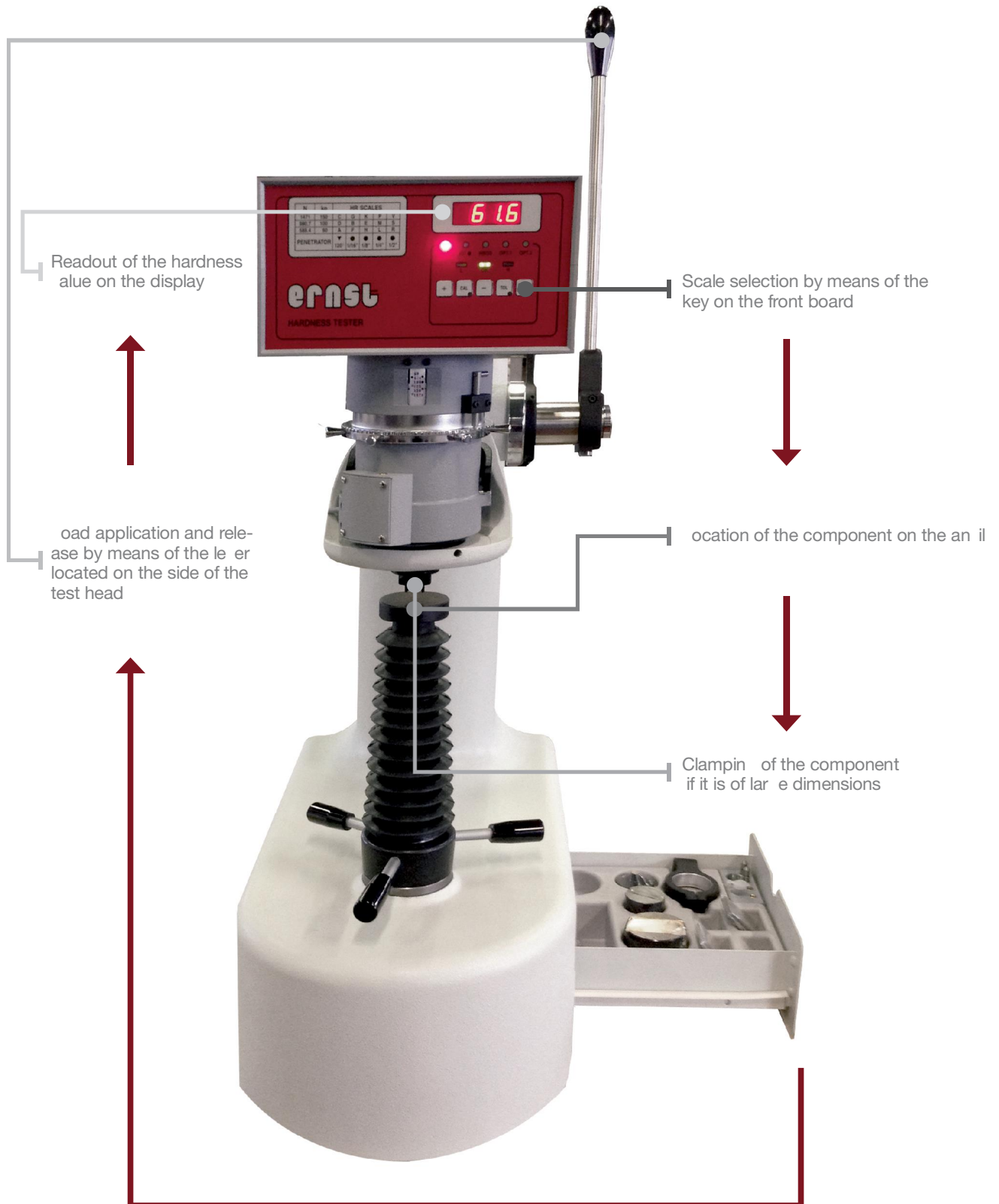


stands to choose from

- □ Stand T - the most versatile
- □ Stand N - conventional
- □ Stand CAR - mobile
- □ Stand MUR - wall mounting

Technical data concerning the stands is illustrated on the back of the brochure

AT130D - Rockwell principle bench hardness tester



AT130D - Rockwell principle bench hardness tester

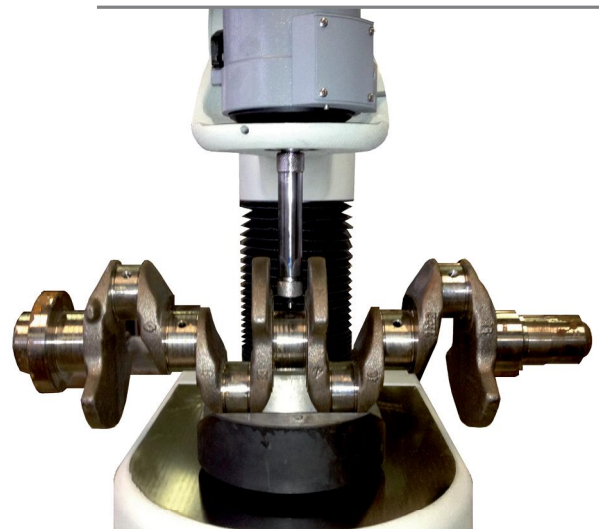
AT130DRT
 Measurement on components of large dimensions is possible
 In this case the indenter has an extension of 50mm
 The base assembly has been removed



E-DATACAPT RE - SOFTWARE

Optional
 E-DATACAPT RE expands the functionality of your hardness tester by allowing to capture and store the hardness testing data on a computer
 Besides this, E-DATACAPT RE provides tolerance indicators, generates control limits and average values, provides scale conversion
 E-DATACAPT RE generates bar, histograms and Cpk
 It builds historical data file for an effective process control.
 E-DATACAPT RE is also available in a version permitting to connect up to hardness testers simultaneously

AT130DRT
 Round surfaces of large components can be tested
 Rockwell test head with N stand
 In the AT130 testing of large pieces is not affected by bending or deflection
 with a special indenter extension and a special V-shaped and drill for round parts



AT130DRN
 In the AT130 testing of large pieces is not affected by bending or deflection

AT130D - TECHNICA DATA

TEST HEAD AT 130 DR

pre-load 10kp (98N)
 Rockwell loads 60kp (588N)
 100kp (980N)
 150kp (1471N)
 Brinell loads 62,5kp (612N)
 125kp (1226N)
 187,5kp (1839N)
 incorporated scales HRA - HRB - HRC - HRD
 HRE - HRF - HRG - HRH
 HRK - Brinell HB30
 scales on request HB2,5 - HB5 - HB10
 kp/mm² - N/mm² - Vickers

TEST HEAD 130 DSR

pre-load 3kp (29,4N)
 Rockwell loads 15kp (147N)
 30kp (294N)
 45kp (441N)
 Brinell loads 10kp (98N)
 15,6kp (153N)
 31,2kp (306N)
 incorporated scales HR15N - HR30N- HR45N
 HR15T - HR30T - HR45T
 HR15W - HR30W - HR45W
 scales on request HB2,5 - HB5 - HB10
 Vickers

CE Conformity - Conform to DIN, IS and AST standards

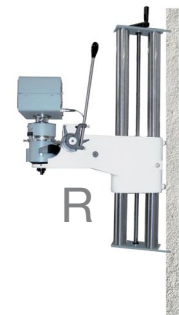
AT130D
 STANDARD ACCESSORIES

1 Rockwell conical diamond indenter
 1 Rockwell ball indenter 1/16
 1 Brinell ball indenter 2,5mm*
 1 Rockwell test block
 1 Brinell test block*
 1 Flat anvil Ø 60mm
 1 Flat anvil Ø 10mm
 1 Large V-anvil
 1 Small V-anvil
 1 Plastic cover
 Spare balls
 Power supply cable

AT130D
 ACCESSORIES

Flat anvil Ø 200mm
 V-anvil for rounds Ø 200mm
 Rockwell ball indenters 1/8", 1/4", 1/2"
 Brinell ball indenters 5mm
 C-form extension
 for measuring internal parts
 Special clamping systems
 on customer's request
 Vise for Jominy test
 Extended penetrators
 and penetrator shrouds
 (25mm - 50mm - 75mm - 100mm)
 Bench support for hardness tester

* accessories not included for AT 130 DSR version (Superficial Rockwell)



STAND N

maximum measurable: depth 240mm - height 210mm - weight 95kg
 dimensions: 30cm x 60cm x h73cm
 standard equipment: 4 anvils, 1 clamping cap, 1 cover

STAND T

maximum measurable: depth 225mm - height 240mm (400mm without base assembly) - weight 125kg
 dimensions: 30cm x 60cm x h95cm
 longer columns can be supplied on request (+100mm +300mm +500mm)
 standard equipment: 4 anvils, 1 clamping cap, 1 cover

STAND CAR

maximum measurable: depth 300mm - height 990mm - weight 165kg
 dimensions: 950mm x 330mm x h1100mm
 longer columns can be supplied on request (+100mm +300mm +500mm)
 standard equipment: 1 clamping cap, 1 cover

STAND R

maximum measurable: depth 300mm - vertical adjustment 585mm - weight 90kg
 dimensions: 300mm x 700mm x h1050mm
 standard equipment: 1 clamping cap, 1 cover

ERNST HÄRTEPRÜFER SA

www.ernsthardnesstesters.com

Via Cantonale 36A CH-6814 Lamone - Switzerland

Tel +41 91 966 21 81 Fax. +41 91 966 97 35 sales.ernstsa@ernsthardnesstesters.com

We reserve the right to make modifications

801-112EN05